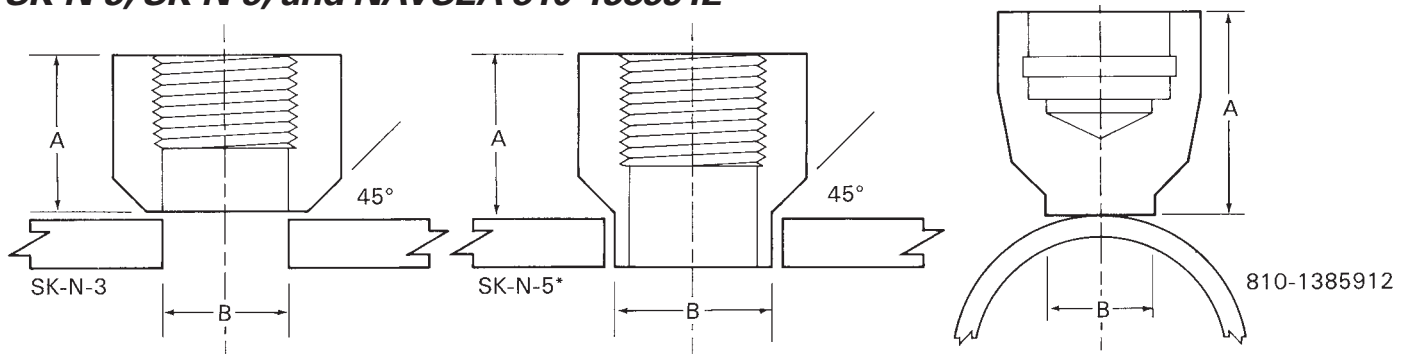


SK-N-3, SK-N-5, and NAVSEA 810-1385912



SK-N-3

For Use When A Threaded Outlet End is Required

Classes 3000 and 6000

Outlet Nominal Pipe Size	A	B	Weight	
			3000	6000
1/2	1 1/2	23/32	20	40
3/4	2	15/16	30	50
1	2	1 5/32	50	90
1	2	1 1/2	90	1.3
1 1/2	2	1 3/4	1.2	2.0
2	2 1/2	2 7/32	1.8	2.8

SK-N-5

For Use When A Socket-Welding Outlet End is Required

Classes 3000 and 6000

Outlet Nominal Pipe Size	A	B	Weight	
			3000	6000
1/2	1 1/2	1	.30	.40
3/4	2	1 3/16	.40	.40
1	2	1 7/16	.50	.90
1 1/4	2	1 3/4	.90	1.1
1 1/2	2	2	1.3	1.9
2	2 1/2	2 1/2	1.9	2.6

NAVSEA 810-1385912

Drawing for Non-Ferrous Piping

Outlet Nominal Pipe Size	A	B	Weight
1/4	1 1/8	.374	.110
3/8	1 5/16	.435	.180
1/2	1 3/8	.600	.340
3/4	1 5/8	.810	.510
1	1 7/8	1.000	.910
1 1/4	2 3/16	1.300	1.58
1 1/2	2 3/8	1.494	2.60
2	2 11/16	1.875	4.05

Dimensions are in inches. Weights are in pounds.

*SK-N-5 can be modified to conform to Shipyard Standard MS-06-SB-01.