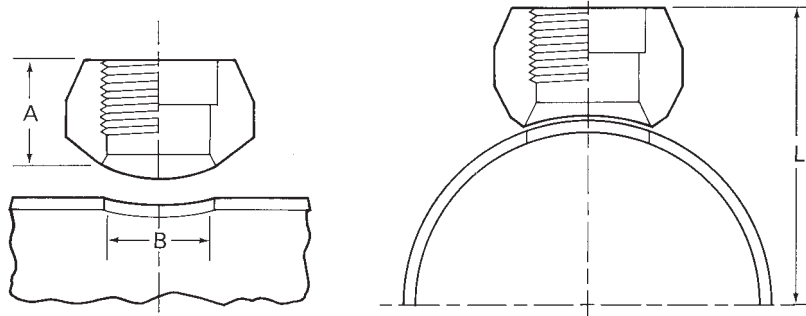


Threaded and Socket-Welding Outlets

Classes 3000 and 6000, and Lightweight



- Provides a self-reinforced, one piece connection.
- Circular design allows use of automatic burning equipment.
- Requires less weld material while restoring 100% pipe or header strength.
- Holes can be cut in the run after welding the outlet to further reduce distortion.
- Available in full or reducing size branch connections for Classes 3000, 6000 or 9000 branch socket-welding or threaded outlets.
- Manufactured to conform to the design requirements of ANSI B 16.11 and Pressure Piping Code ANSI B 31.1.
- Lightweight threaded and socket-welding outlets for use with Schedule 5s and 10s run pipe conform to ANSI B 16.11 and MSS SP-43.

Classes 3000 and 6000

Outlet Nominal Pipe Size	3000 Threaded			3000 Socket-Welding			6000 Threaded			6000 Socket-Welding		
	A	B	Weight	A	B	Weight	A	B	Weight	A	B	Weight
1/8		.339	.09	3/4	.269	.09	1/8	.437	.269			
1/4	3/4	.437	.09	3/4	.364	.09	1/8	.578	.26			
3/8	13/16	.578	.18	13/16	.493	.17	1/4	.718	.40	1 1/4	.464	.44
1/2	1	.718	.22	1	.622	.26	1 7/16	.922	.68	1 7/16	.612	.73
3/4	1 1/16	.922	.34	1 1/16	.824	.30	1 9/16	1.156	1.08	1 9/16	.810	1.20
1	1 5/16	1.156	.54	1 5/16	1.044	.54	1 5/8	1.500	1.40	1 5/8	1.160	1.46
1 1/4	1 5/16	1.500	.79	1 5/16	1.380	.77	1 11/16	1.734	1.76	1 11/16	1.338	1.78
1 1/2	1 3/8	1.734	.88	1 3/8	1.610	.96	2 1/16	2.218	4.62	2 1/16	1.687	4.67
2	1 1/2	2.218	1.58	1 1/2	2.067	1.49						
2 1/2	1 13/16	2 5/8	2.73	1 9/16	2.469	2.52						
3	2	3 1/4	4.00	1 3/4	3.068	3.50						
3 1/2	2 1/8	3 3/4	5.35	2 1/8	3.548	3.83						
4	2 1/4	4 1/4	6.18	1 7/8	4.026	6.60						
5	2 5/8	4 5/16	10.92	2 5/8	5.047	11.04						
6	2 11/16	6 5/16	14.08	2 11/16	6.065	13.20						

Lightweight

For Use With Schedule 5s and 10s Run Pipe

Outlet Nominal Pipe Size	Threaded		Socket-Welding		Weight	
	A	B	5s B	10s B	5s	10s
1/4						
3/8	1	.719	.710	.674	.24	.24
1/2	1 1/16	.922	.920	.884	.37	.36
1	1 5/16	1.156	1.180	1.092	.49	.48
1 1/4	1 5/16	1.500	1.530	1.442	.62	.60
1 1/2	1 3/8	1.734	1.770	1.682	.74	.73
2	1 1/2	2.219	2.245	2.157	.93	.97

Dimensions are in inches. Weights are in pounds.
See pages 8 and 9 for L dimension.