

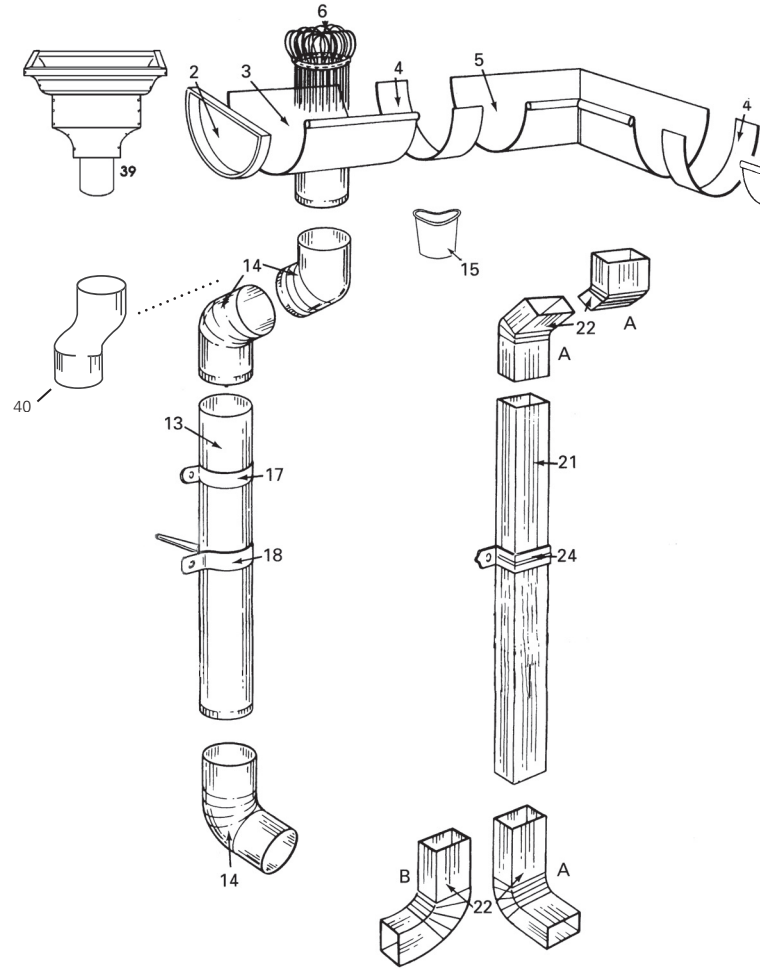
Copper Roof Drainage Products and Accessories

Alaskan Copper & Brass Company has been a leading distributor of copper roof drainage products and accessories for over 45 years.

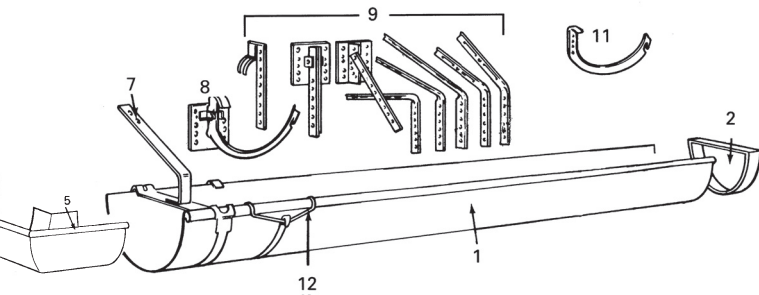
Across the country, contractors, builders and architects looking for high-quality copper gutter systems rely on our experience, dependability and customer service.

In addition to the copper drainage products listed herein, Alaskan Copper & Brass Company is a full service center of corrosion resistant alloys offering customers over 13,000 stocking items and the latest in material processing services.

Let us share our years of experience with you. We invite you to phone or fax one of our sales people with your next order or inquiry for high quality copper roofing products or other corrosion resistant metal items.



ALASKAN COPPER & BRASS COMPANY Seattle, Washington



Plain Half-Round Copper Gutter System

Fig. #	Description	Size	Part Number	
1	Gutter, Half Round Single Bead, 10 Ft. Length	4	134914	
		5	134930	
		6	134891	
2	End Cap	4	235817	
		5	235825	
		6	235833	
3	End Section with 3" Outlet	5	406565	
4	Slip Joint Connector	4	235914	
		5	235922	
		6	235930	
5	Outside Mitre	4	281004	
		5	235859	
		6	278302	
5	Inside Mitre	4	235841	
		5	235867	
		6	278297	
6	Strainer	3	235809	
		4	440789	
7	Rival Strap Hanger	4	451633	
		5	419194	
		6	497671	
8	No. 10 Comb. Shank & Circle with Clip	4	235875	
		5	235883	
		6	259706	
9	Shank, Stamped	# 12	235948	
		# 30	486688	
11	Stamped Circle	4	235891	
		5	408923	
		6	235906	
12	Wire Spring Clip		135075	
		Spike for Gutters	7	274251
		Copper Ferrules for 7" Spikes	5	498546

Square Corrugated Copper Downspout System

Fig. #	Description	Size	Part Number	
21	Downspout - Square Corrugated	(1 3/4 x 2 1/4)	2	134998
		(2 3/8 x 3 1/4)	3	134956
		(2 3/4 x 4 1/4)	4	134972
22	Elbow - 75 Deg. Style A	3	235728	
		4	235736	
22	Elbow - 75 Deg. Style B	3	431586	
		4	438091	
24	Conductor Band	All	235744	
24	Ornamental Strap	3	496617	
		4	496625	

Gutter and downspout are made from 16 oz. cold-rolled copper.

Plain Round Copper Downspout System

Fig. #	Description	Size	Part Number
13	Downspout - Plain Round, 10 Ft. Length	2	234853
		3	135059
		4	135017
		5	508202
14	Elbow - 75 Deg. Plain Round	2	235697
		3	235702
		4	268381
14	Elbow - 72 Deg. Seamless Plain Round	3	645339
15	Outlet Tube for Half Round Gutter	3	235760
		4	280993
		4	496625
17	Conductor Band	All	235744
17	Ornamental Strap	3	496617
		4	496625
18	Bracket W/ 4" SS Lag Bolt	3	645347
39	Conductor Head (#14)	3	509127
40	Seamless Offset (2" off center)	3	645583