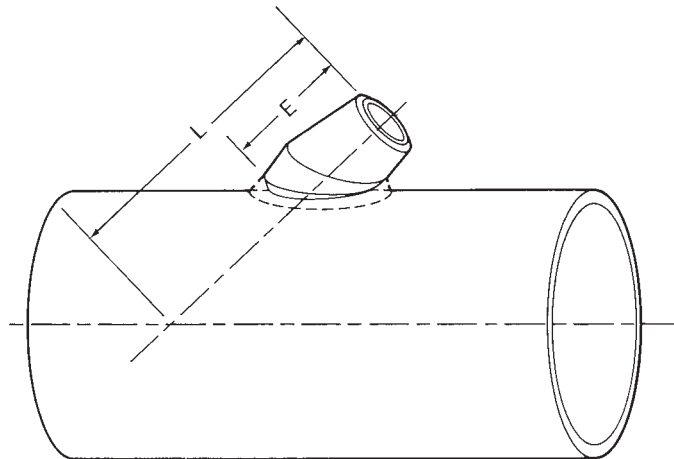
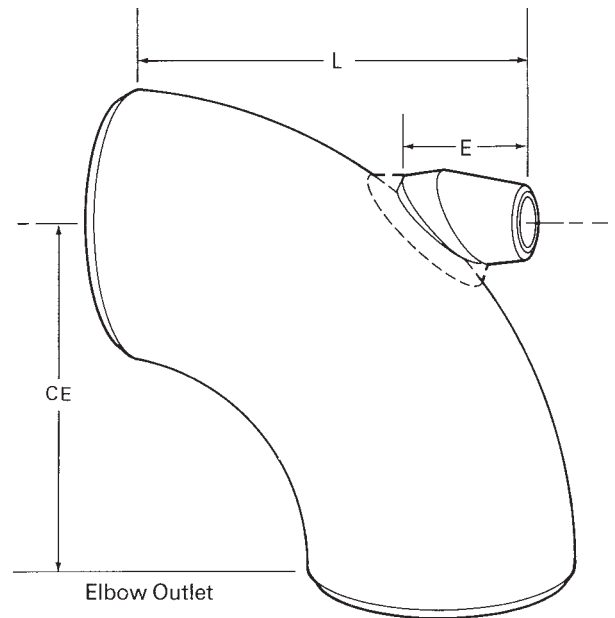


Lateral and Elbow Outlets

Standard and Extra Strong



Lateral Outlet



Elbow Outlet

- Provides a self-reinforced, one piece connection.
- Circular design allows use of automatic burning equipment.
- Requires less weld material while restoring 100% pipe or header strength.
- Available in full or reducing size branch connection with threaded or socket-welding outlet ends.
- Available in non-standard sizes, angles and reductions.
- Manufactured to conform to the design requirements of ANSI B 16.9 and Pressure Piping Code ANSI B 31.1.

Outlet Nominal Pipe Size	Standard E	Extra Strong E	Weight
1/4	1 ⁵ / ₈	1 ⁵ / ₈	.49
3/8	1 ⁵ / ₈	1 ⁵ / ₈	.50
1/2	1 ⁵ / ₈	1 ⁷ / ₈	.52
3/4	2 ⁷ / ₈	2 ¹ / ₄	1.26
1 ¹ / ₄	2 ¹ / ₄	2 ¹ / ₂	1.39
1 ¹ / ₂	2 ¹ / ₂	2 ¹¹ / ₁₆	1.53
2	3	3	2.76
2 ¹ / ₂	3 ⁷ / ₁₆	3 ⁷ / ₁₆	4.70
3	3 ⁷ / ₈	3 ⁷ / ₈	6.54
4	4 ³ / ₄	4 ³ / ₄	12.3
6	6 ¹ / ₄	6 ¹ / ₄	24.3
8	7 ¹ / ₂	7 ¹³ / ₁₆	60.0
10	9 ³ / ₁₆	9 ³ / ₁₆	90.5
12	10 ¹ / ₄	11 ⁷ / ₁₆	121.0

Dimensions are in inches. Weights are in pounds.

NOTE: The L dimension for an elbow outlet is determined by the formula $L = E + OR^2 - CE^2$. Where OR is the outside radius and CE is the center-to-end dimension of the joining elbow. The L dimension of a lateral outlet is determined by the formula $L = E + 1.414 OR$. Where OR is the outside radius of the joining pipe.