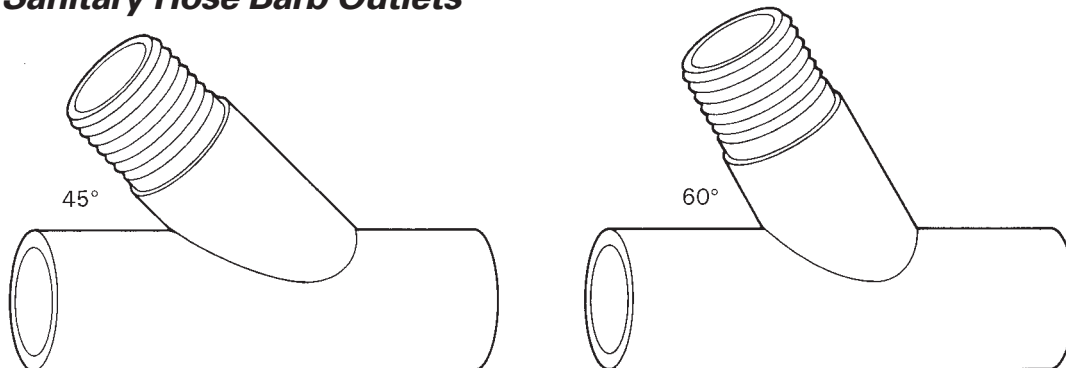


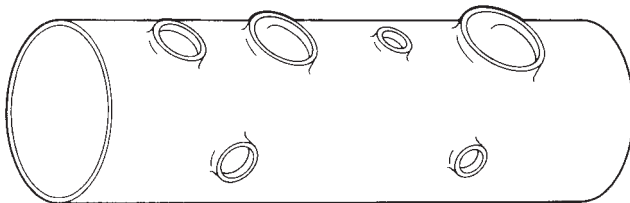
Sanitary, Drawn and Other Outlets

Sanitary Hose Barb Outlets



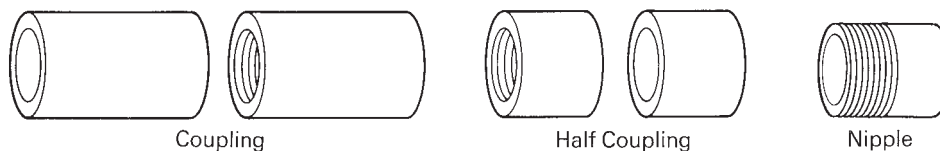
- Provides a self-reinforced, one piece connection.
- Circular design allows use of automatic burning equipment.
- Requires less weld material while restoring 100% pipe or header strength.
- Available in standard 45° and 60° configurations with special angles available as required.
- Stocked in hose sizes 3" and 4" with a length of 7", other sizes available as required.
- Allows flexible hose hookup to systems subjected to excessive vibration or movement.

Drawn Outlets



- Alaskan offers an alternate method of branch connections with the drawn outlet. This method provides a smooth 90° transition from the run to the outlet and can combine a variety of outlet sizes and spacings with different orientations.
- Drawn outlets can be supplied in either the same size as the run pipe or in reducing sizes.
- Complex manifolds with various outlet sizes can be supplied to minimize field welding requirements.
- Alaskan can provide complete spooling and pre-fabricated piping services and has a full-time engineering staff to assist in design recommendations as required.

Couplings and Nipples



- Couplings, half couplings and nipples are often used as a cost effective method of providing a branch outlet.
- Nipples may be provided threaded one end in a variety of standard and special lengths.
- Alaskan can manufacture outlets to special design criteria and welcomes your inquiries for one-of-a-kind as well as standard orders.